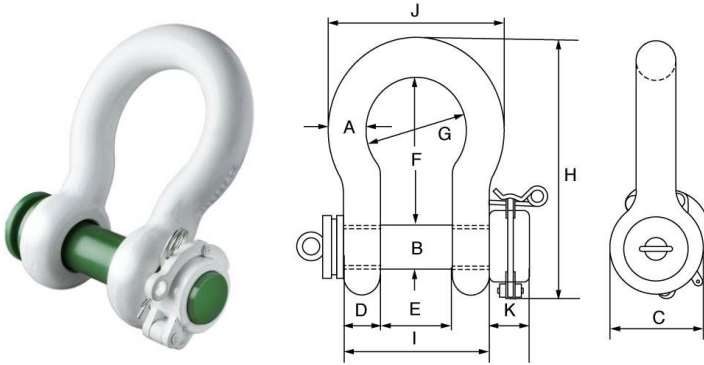




## Green Pin® Locking Clamp ROV Shackle – GPROV5365



- Grade 8 polar quality alloy steel body and pin, quenched and tempered.
- White painted body and green painted pin.
- Minimum breaking load is 6 times the W.L.L. up to 85t, above 85t is 5 times the W.L.L.
- Temperature range -60°C up to +200°C.
- For in-line use only, supplied without wires; design your own wiring plan.
- Full CAD support available upon request.
- Certification available **2.1** **3.1** **DoC** **LROS**

# P-5365

Product Code	W.L.L.	A	B	C	D	E	F	G	H	I	J	K	Weight	Technical
	t	mm	mm	mm	mm	mm	mm	mm	mm	mm	mm	mm	kgs	Specification
GPROV53656.5	6.5	22	25	52	22	36	83	58	160	131	102	31	2.27	<a href="#">Download</a>
GPROV53659.5	9.5	28	32	66	28	47	108	75	200	166	131	31	4.25	<a href="#">Download</a>
GPROV536512	12	32	35	72	32	51	115	83	215	184	147	31	5.36	<a href="#">Download</a>

Product Code	W.L.L.	A	B	C	D	E	F	G	H	I	J	K	Weight	Technical
	t	mm	mm	mm	mm	mm	mm	mm	mm	mm	mm	mm	kgs	Specification
GPROV536517	17	38	42	88	38	60	146	99	250	206	175	40	9.27	<a href="#">Download</a>
GPROV536525	25	45	50	103	45	74	178	126	300	243	216	40	14.62	<a href="#">Download</a>
GPROV536535	35	50	57	116	50	83	197	138	350	269	238	40	20.75	-
GPROV536542.5	42.5	57	65	130	57	95	222	160	377	301	274	40	28.33	-
GPROV536555	55	65	70	145	65	105	260	180	433	329	310	40	41	<a href="#">Download</a>
GPROV536585	85	75	83	162	73	127	329	190	527	375	340	40	61	<a href="#">Download</a>
GPROV5365120	120	95	95	208	91	147	400	238	647	440	428	60	110	-
GPROV5365150	150	105	108	238	102	169	410	275	688	490	485	60	160	-
GPROV5365200	200	120	130	279	113	179	513	290	838	520	530	60	235	-
GPROV5365250	250	130	140	299	118	205	554	305	904	560	565	60	285	-